



# IsoBeam<sup>™</sup>

Isolator Radome for  
620 mm Dish Reflector

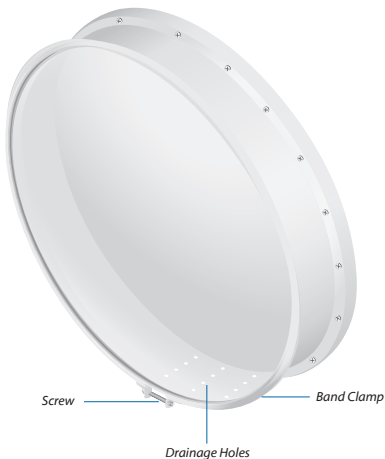
Model: ISO-BEAM-620

QUICK START GUIDE

## Introduction

Thank you for purchasing the Ubiquiti Networks® IsoBeam™. The IsoBeam is compatible with the RD-5G30-LW, PBE-M5-620, and PBE-5AC-620. The IsoBeam is secured to a dish reflector using a band clamp and a screw.

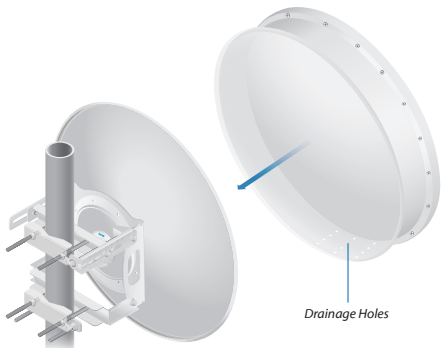
## Hardware Overview



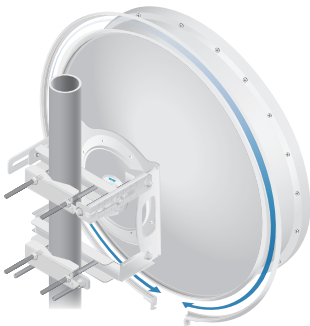
## Installation

1. Loosen the screw and detach the band clamp from the IsoBeam.

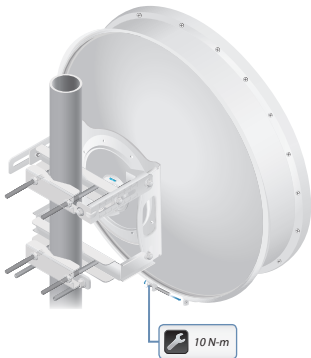
2. Seat the dish reflector inside of the IsoBeam with the drainage holes facing down to the ground.



3. Wrap the band clamp around the IsoBeam and dish reflector.



4. Secure the band clamp by tightening the screw.



Installation is complete.



©2015 Ubiquiti Networks, Inc. All rights reserved. Ubiquiti, Ubiquiti Networks, the Ubiquiti U logo, the Ubiquiti beam logo, and IsoBeam are trademarks or registered trademarks of Ubiquiti Networks, Inc. in the United States and in other countries. All other trademarks are the property of their respective owners.

RR010615



640-00149-01